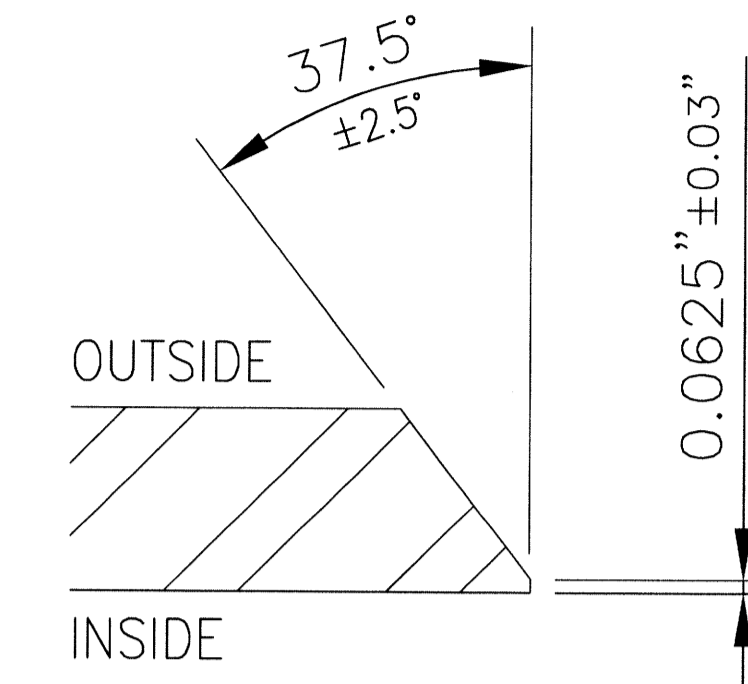
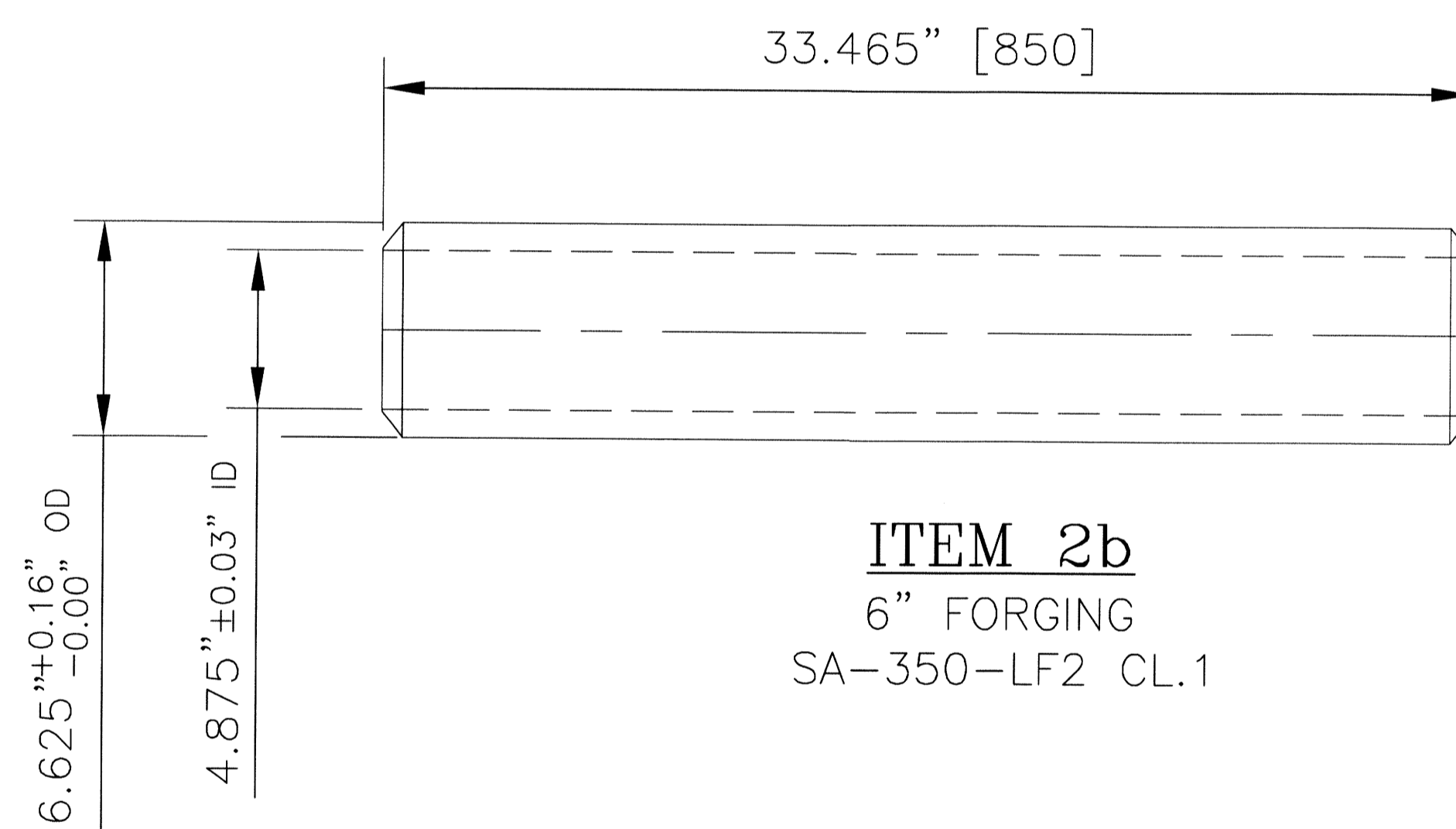


**ITEM 2a**  
6" FORGING  
SA-350-LF2 CL.1

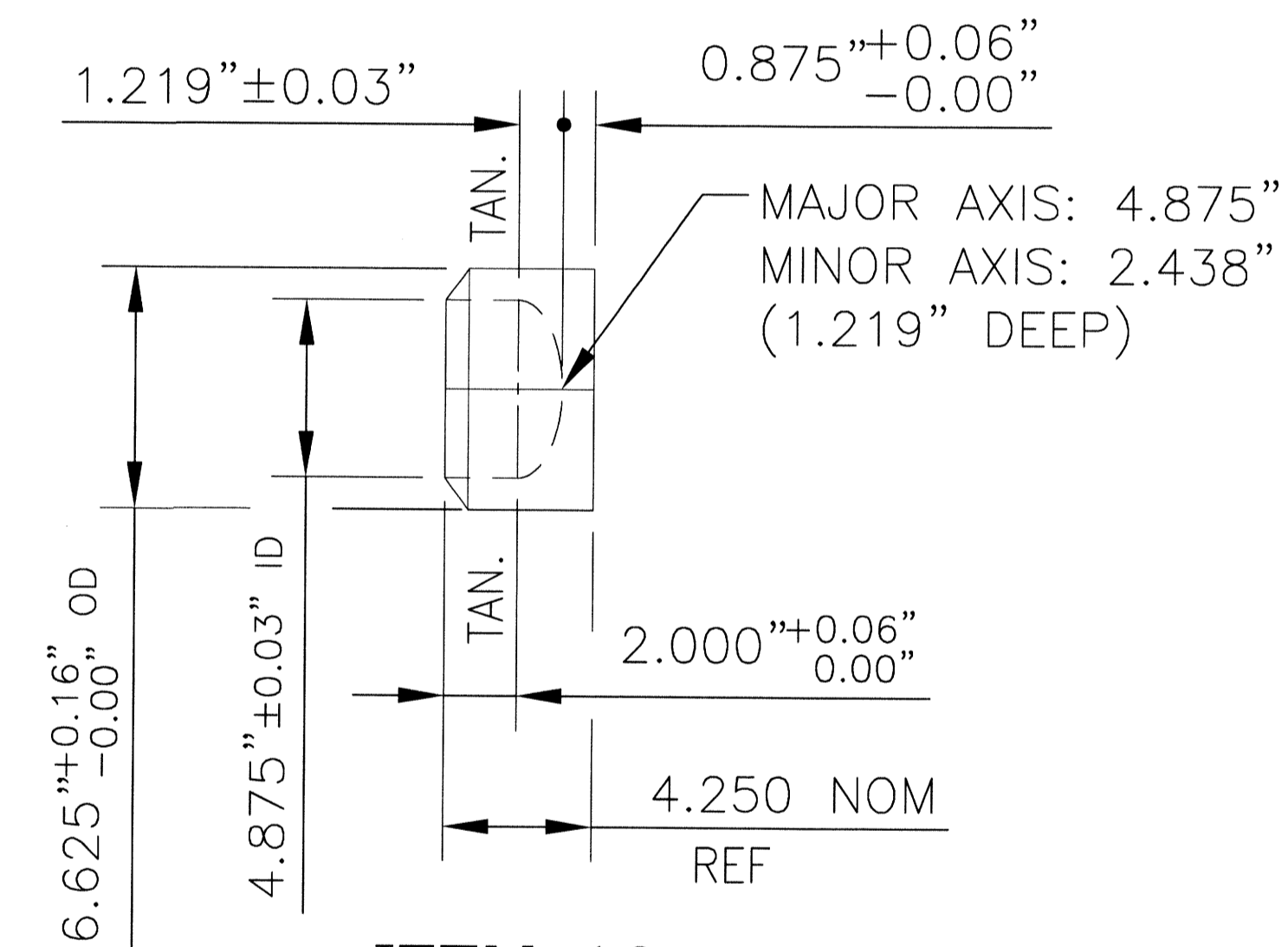


**TYP BEVEL DETAIL**  
PER ASME B31.3 FIG.328.4.2  
SCALE 1:2

**APPROVED**



**ITEM 2b**  
6" FORGING  
SA-350-LF2 CL.1

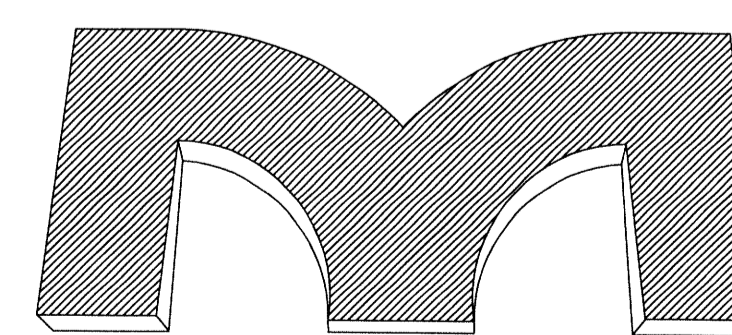


**ITEM 10**  
6" FORGING, END CAP  
SA-350-LF2 CL.1

REV	DESCRIPTION	DATE	BY	CHK	APP	ADMIN
0	ISSUED FOR CONSTRUCTION	08-06-09	CL	AV		
REVISIONS						

THIS DRAWING IS THE PROPERTY OF MALONEY INDUSTRIES AND IS NOT TO BE USED FOR ANY PURPOSE OTHER THAN THAT FOR WHICH IT IS SPECIFICALLY FURNISHED.

PERMIT TO PRACTICE ALBERTA NO. P-6912



**MALONEY INDUSTRIES**

A DIVISION OF FOREMOST UNIVERSAL LP

8825 Shepard Road SE, Calgary, Alberta, T2C 4N9  
Phone: (403) 279-5000 Fax: (403) 279-2068

CUSTOMER				
TITLE Z-4000-LINE HEATER PACKAGE 6" FORGING DETAILS				
PROJECT # AND NAME BC0127-004-HORSESHOE-WELLSITE				
DRAWN VZ/CL	DATE 08-06/02	APPROVED AV	SCALE 1:10	WIP NO. 015940-62
NO. REQ'D 1	DRAWING NO. 015940-4-62		SHT. NO. 2 OF 2	REV. 0