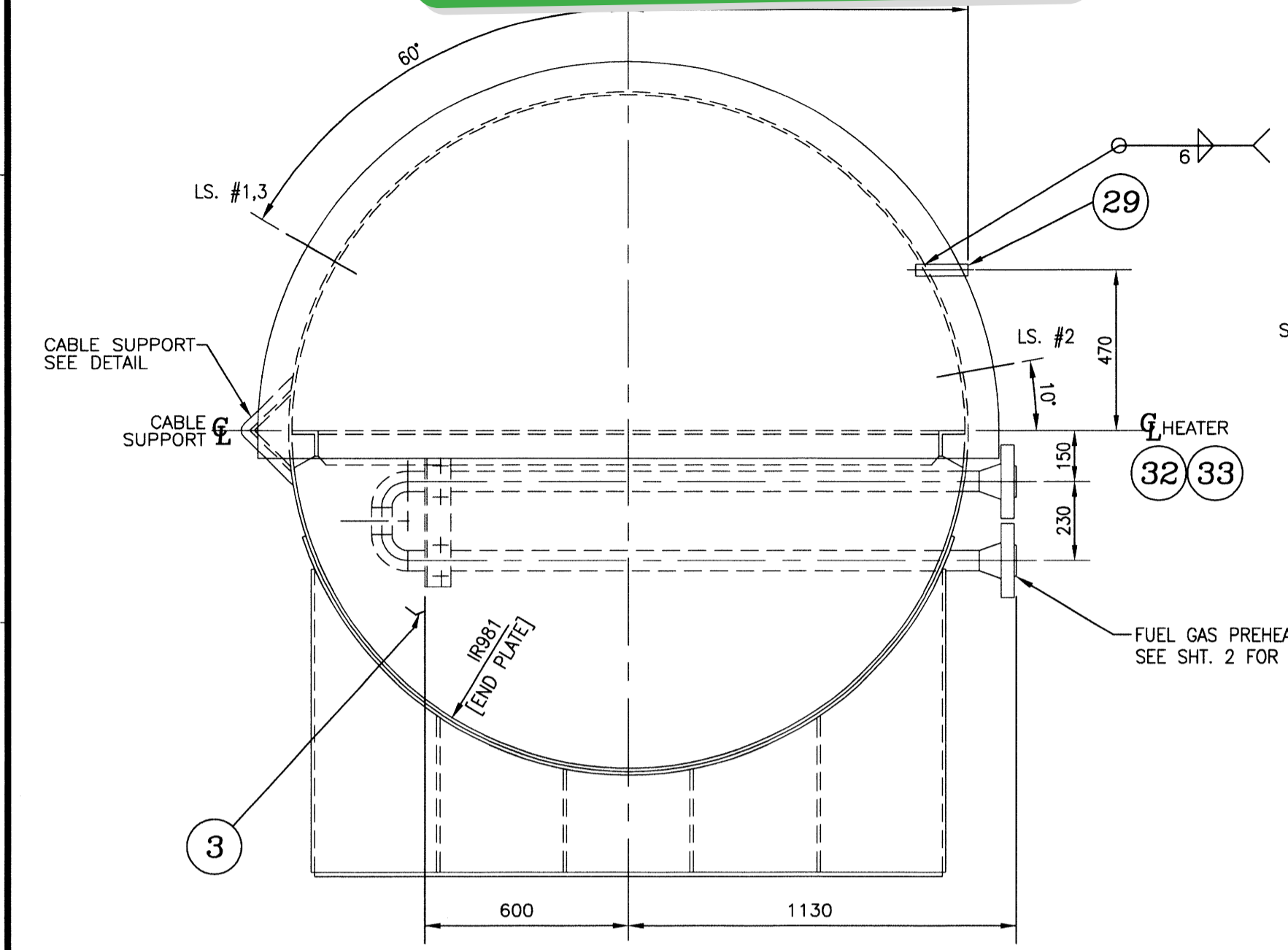
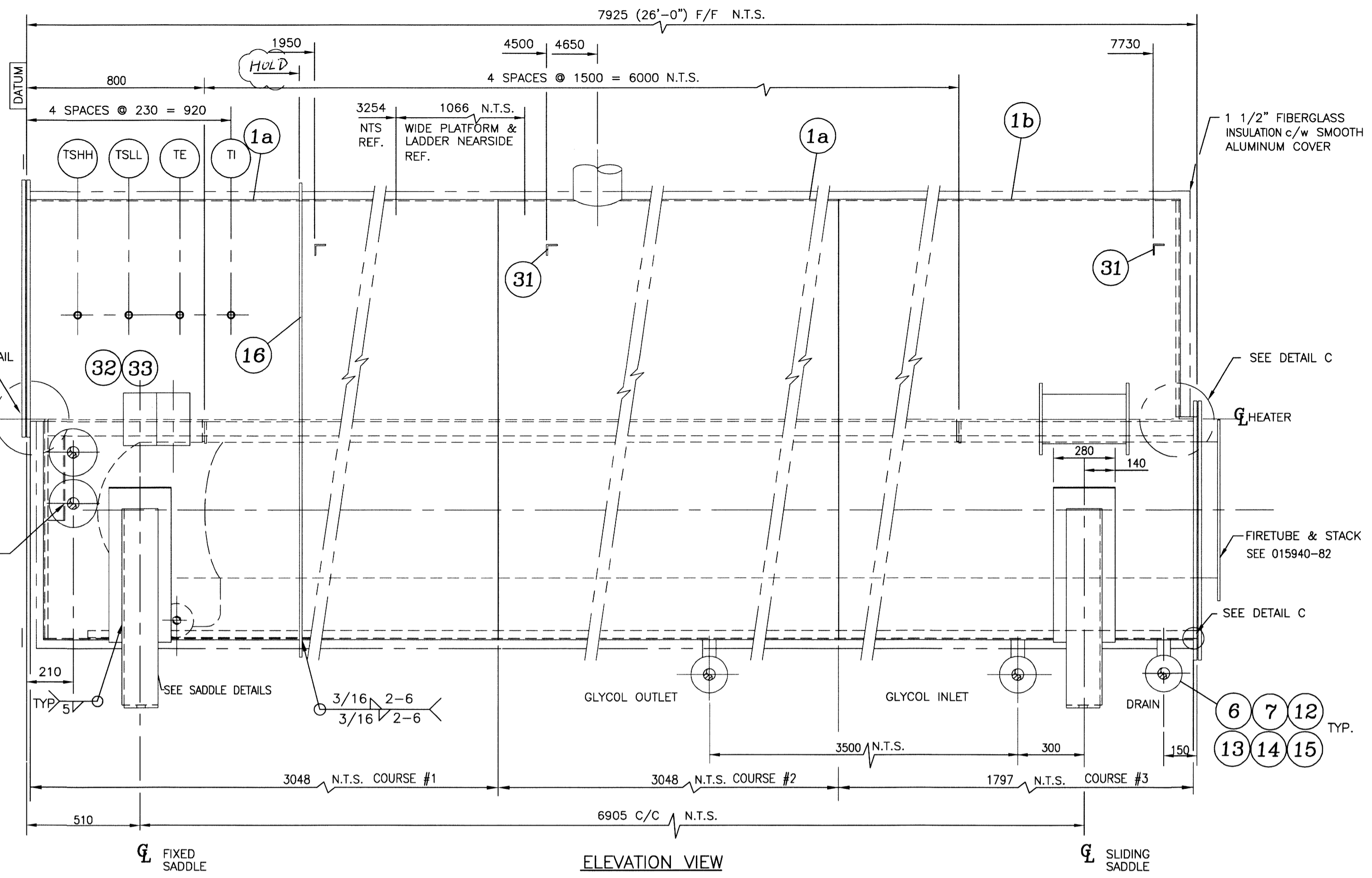


APPROVED

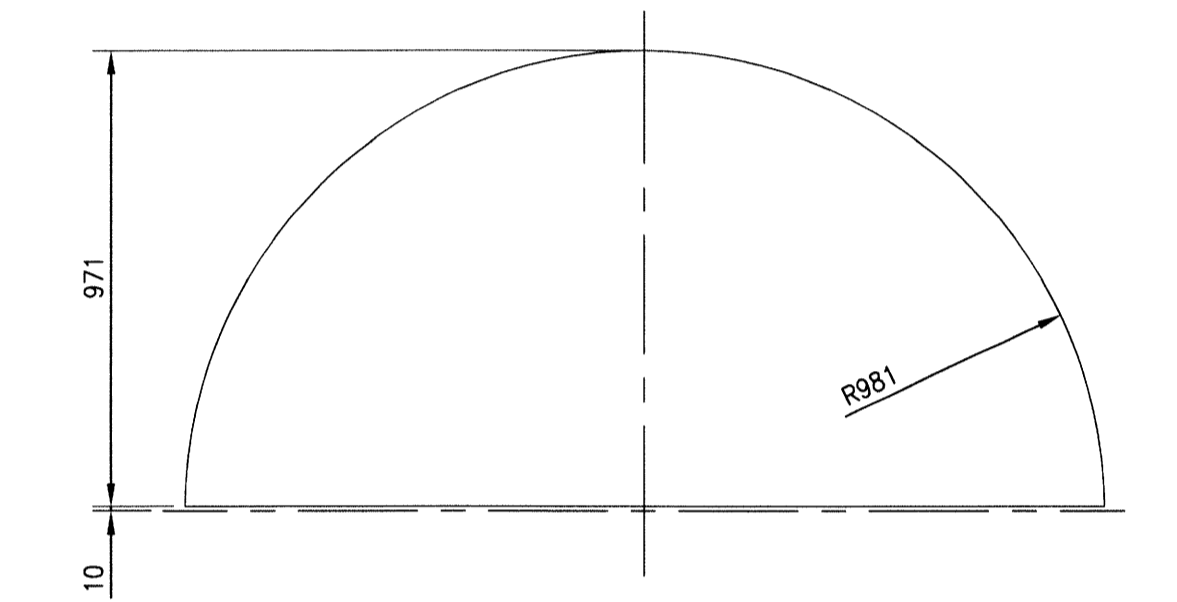


BUNDLE END VIEW

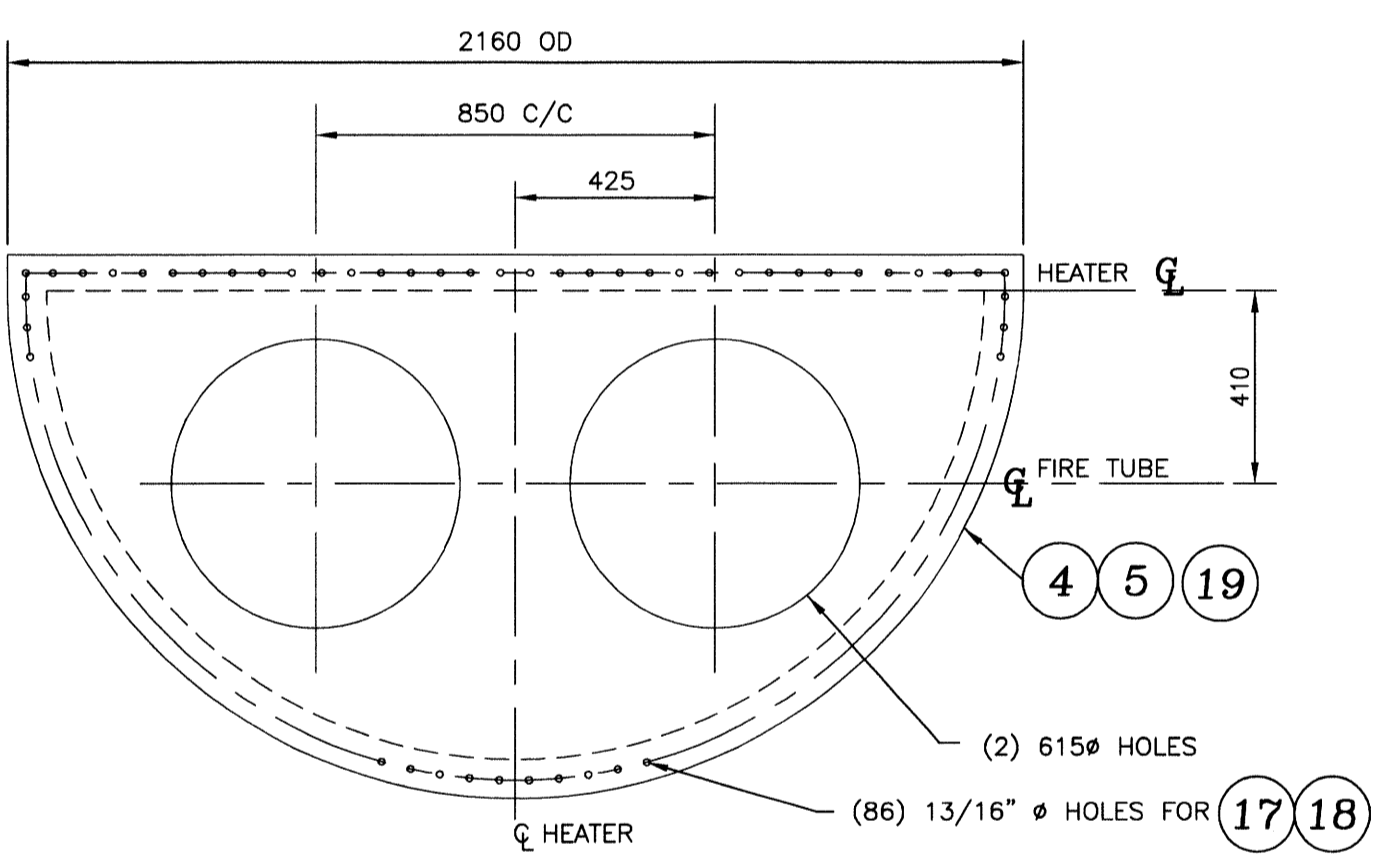


ELEVATION VIEW

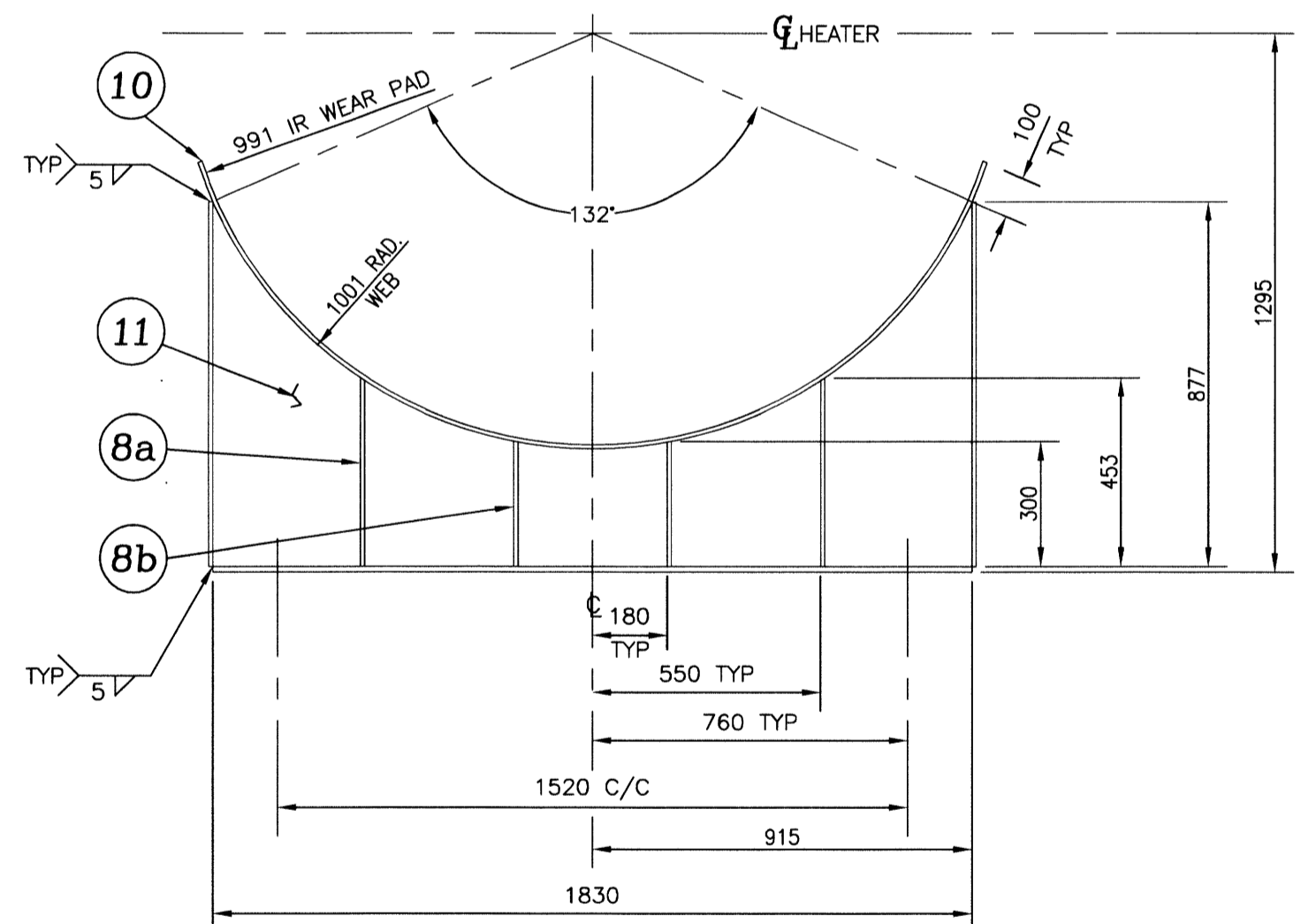
BILL OF MATERIALS									
ITEM	QTY.	DESCRIPTION	LENGTH	MATERIAL REQ.					
1a	2	PLATE: 3/8" THK. x 243.87" CIRC. ROLL TO 1981 [78"] OD	G40.21/300W	3048					
1b	1	PLATE: 3/8" THK. x 243.87" CIRC. ROLL TO 1981 [78"] OD	G40.21/300W	1797					
2	2	FLAT BAR: 3/8" THK. x 4" WD	SA-36	1981					
3	2	PLATE: 5/8" THK. x 971 WD CUT TO SUIT	G40.21/300W	1962					
4	2	PLATE: 5/8" THK. x 1156 WD SEE DETAIL	G40.21/300W	2160					
5	2	PLATE: 5/8" THK. x 1156 WD SEE DETAIL	G40.21/300W	2160					
6	3	PIPE: 2" SCH. STD SMLS	SA-106-B	270					
7	3	ELBOW: 2" 90° L.R. SCH. STD.	SA-234-WPB	--					
8a	4	FLAT BAR: 3/8" THK. x 6" WD	SA-36	453					
8b	4	FLAT BAR: 3/8" THK. x 6" WD	SA-36	300					
9	2	FLAT BAR: 1/2" THK. x 6" WD	SA-36	1830					
10	2	PLATE: 3/8" THK. x 280 WD, ROLL TO 1981 [78"] ID SEE DETAIL	G40.21/300W	2505					
11	2	PLATE: 3/8" THK. x 877 BREAK TO SUIT	G40.21/300W	2125					
12	3	FLANGE: RFWN 2" CL. 150 SCH. STD. BORE	SA-105N	--					
13	3	GASKET: 2" CL. 150 RF, 316L SS FLEXITALLIC	316L SS	--					
14	12	STUD: 5/8"	SA-193-B7	3 1/4"					
15	24	NUT: 5/8"	SA-194-2H	--					
16	1	FLAT BAR: 1/4" THK. x 3" WD ROLL TO 78" ID HARDWAY	SA-36	21'-3"					
17	172	BOLT: 3/4"	GR.5	2 1/4"					
18	172	NUT: 3/4"	GR.5	--					
19	2	GASKET: 3/16" THK. GC-73	NEPORENE	--					
26	2	ANGLE: 3" x 3" x 3/8"	SA-36	7810					
27	5	ANGLE: 4" x 3" x 3/8" LONG LEG VERTICAL	SA-36	1807					
28	10	FLAT BAR: 1/2" THK. x 4" WD	SA-36	2 1/2"					
29	4	LONG CPLG: 3/4" 3000# THRD	SA-105N	6"					
31	3	ANGLE: 2" x 2" x 1/4"	SA-36	480					
32	2	MALONEY INDUSTRIES NAMEPLATE FOR PREHEAT COIL	S.S	--					
33	2	MALONEY INDUSTRIES NAMEPLATE BRACKET	SA-516-70N	--					
38	4	PLATE: 1/2" THK. x 230 WD SEE DETAIL	G40.21/300W	230					
39	2	PLATE: 3/8" THK. x 300 WD SEE DETAIL	G40.21/300W	380					



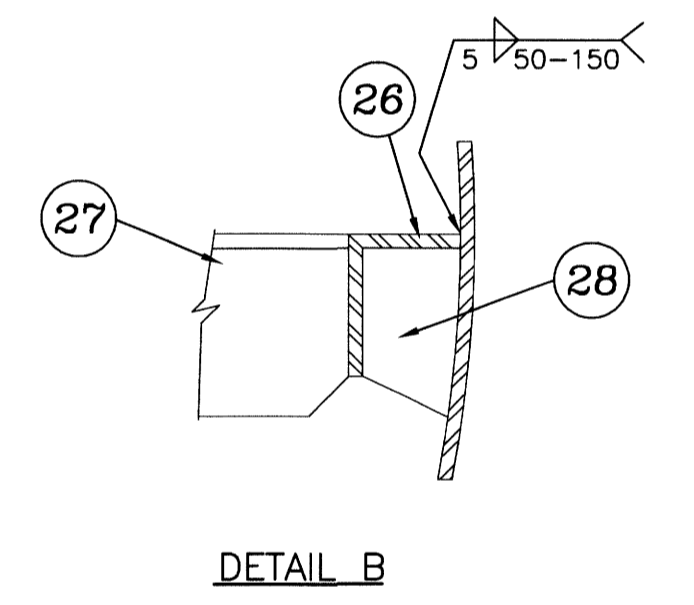
ITEM 3



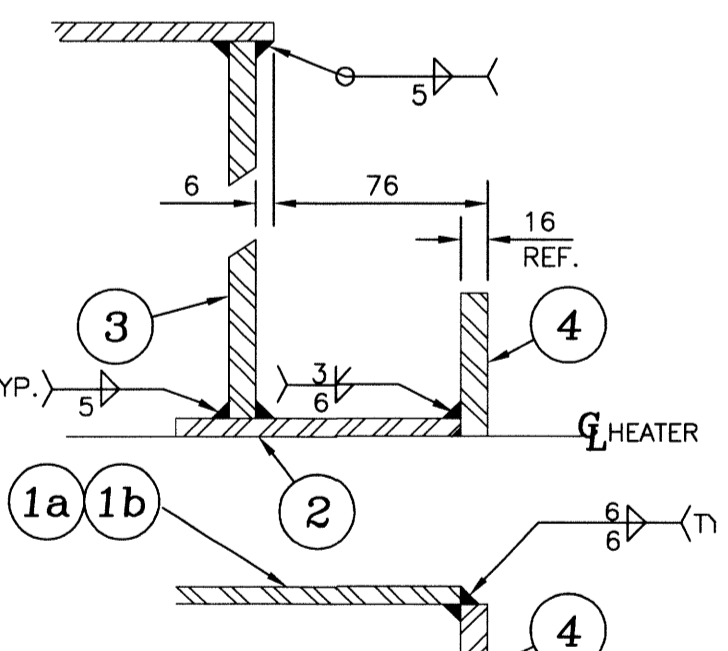
FURNACE END COVER & FLANGE
(HOLE PATTERN TO MATCH GASKET)



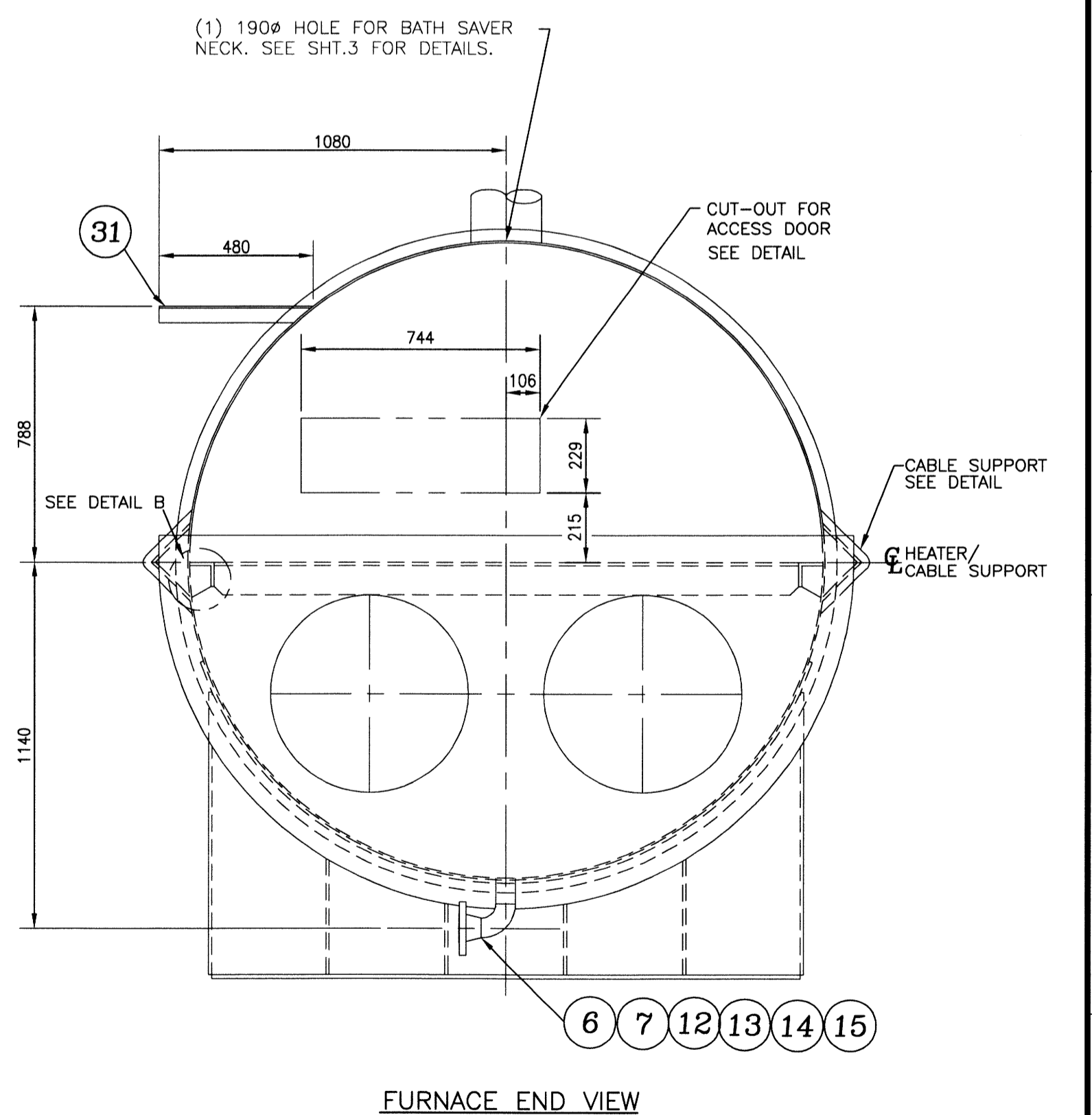
SADDLES



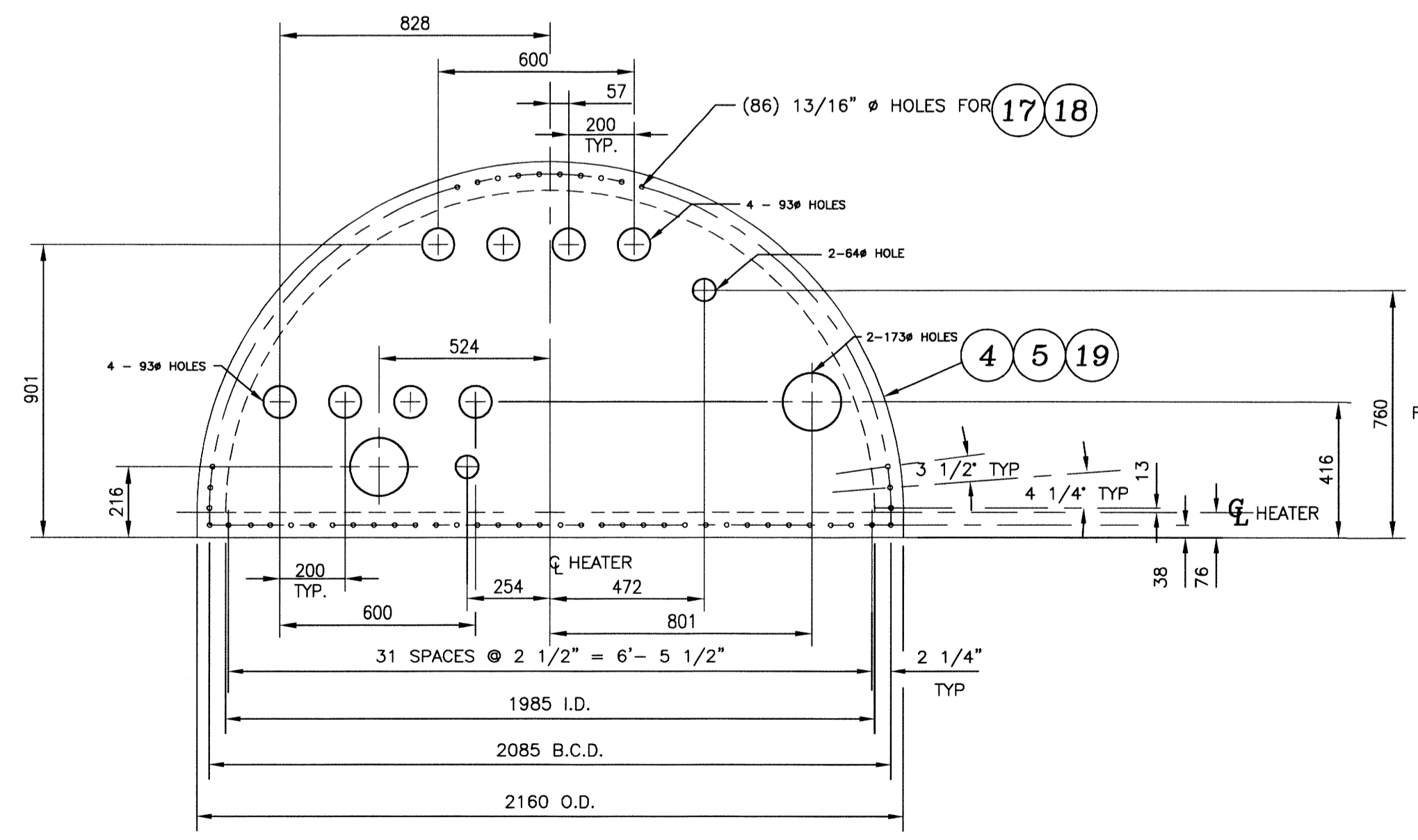
DETAIL B



DETAIL C



FURNACE END VIEW



BUNDLE END COVER & FLANGE
(DIMENSIONS IN IMPERIAL TO MATCH GASKET)

GENERAL NOTES:
 1) EXTERIOR PAINT SEE SPECIFICATIONS.
 2) WEIGHT: DRY = 11000 LBS (4990 KG) (HEATER ONLY, INCLUDING STACK & FIRETUBE, EXCLUDING BUNDLE)
 3) 1 1/2" MINERAL WOOL INSULATION c/w SMOOTH ALUMINUM COVER OUTSIDE OF BUILDING
 4) BATH VOLUME: 655 FT. CU.; 18.55 M. CU
 5) LEAK TEST NEEDED

REV	DESCRIPTION	DATE	BY	CHK	APP	REV'D	ADMIN
0	ISSUED FOR CONSTRUCTION	08-06-23	CL	EC	AN		
A	ISSUED FOR APPROVAL	08-06-09	CL	EC	AN		

THIS DRAWING IS THE PROPERTY OF MALONEY INDUSTRIES AND IS NOT TO BE USED FOR ANY PURPOSE OTHER THAN THAT FOR WHICH IT IS SPECIFICALLY FURNISHED.

MALONEY INDUSTRIES
 A DIVISION OF FOREMOST UNIVERSAL LP
 8825 Shepard Road SE, Calgary, Alberta, T2C 4N9
 Phone: (403) 279-5000 Fax: (403) 279-2068

CUSTOMER		TITLE		PROJECT # AND NAME		DATE		APPROVED		SCALE		WIP NO.	
Z-4000-LINE HEATER PACKAGE-HEATER SHELL		1981 MM [78"] O.D. X 7925 MM [26'-0"] LG.		BCO127-004-HORSESHOE-WELLSITE		08-06-03		AN		1:16		015940-81	
DRAWN: VZ/CL		NO. REV'D: 1		DRAWING NO.: 015940-4-81		SHT. NO.: 1		REV.: 0					