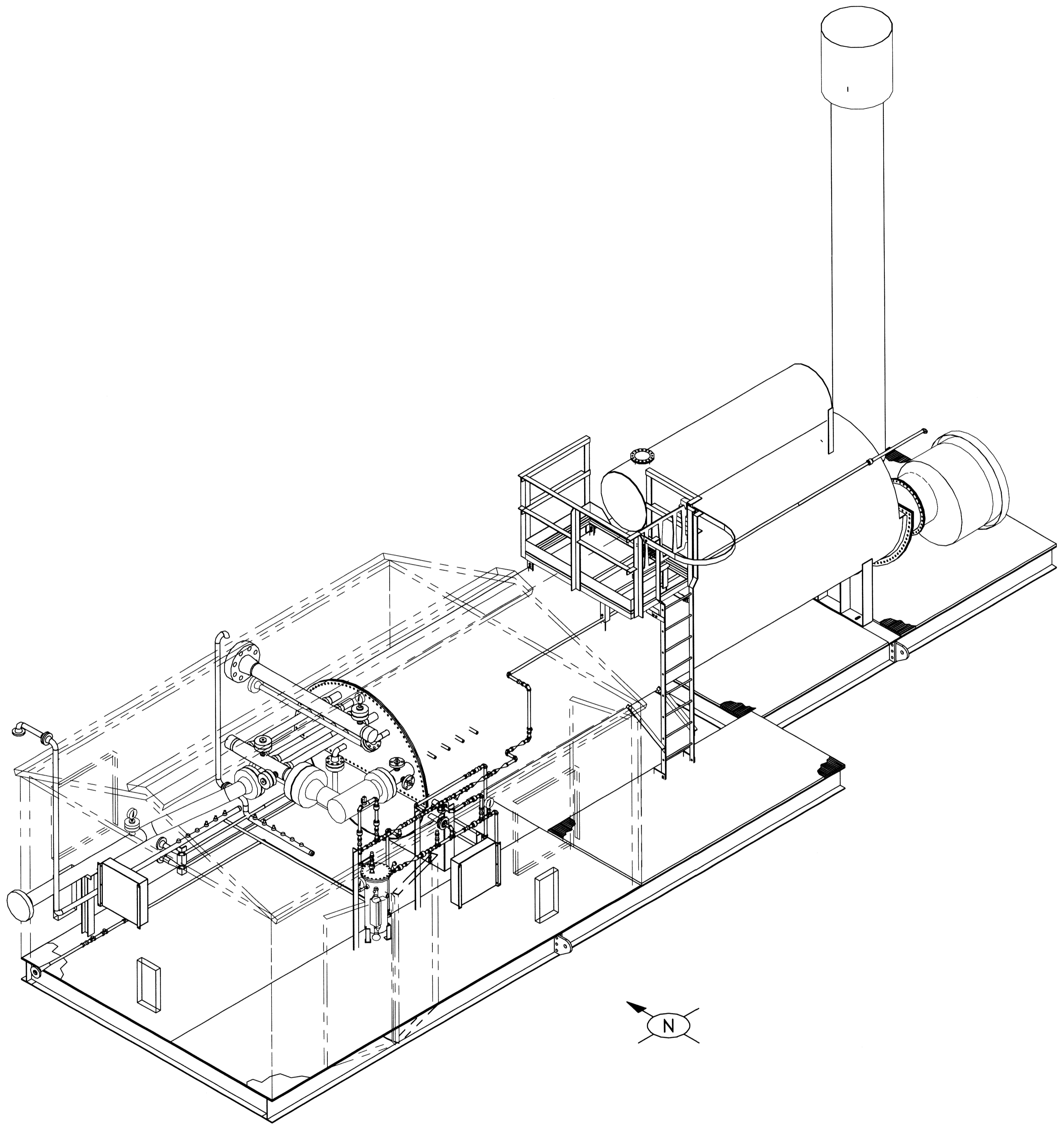
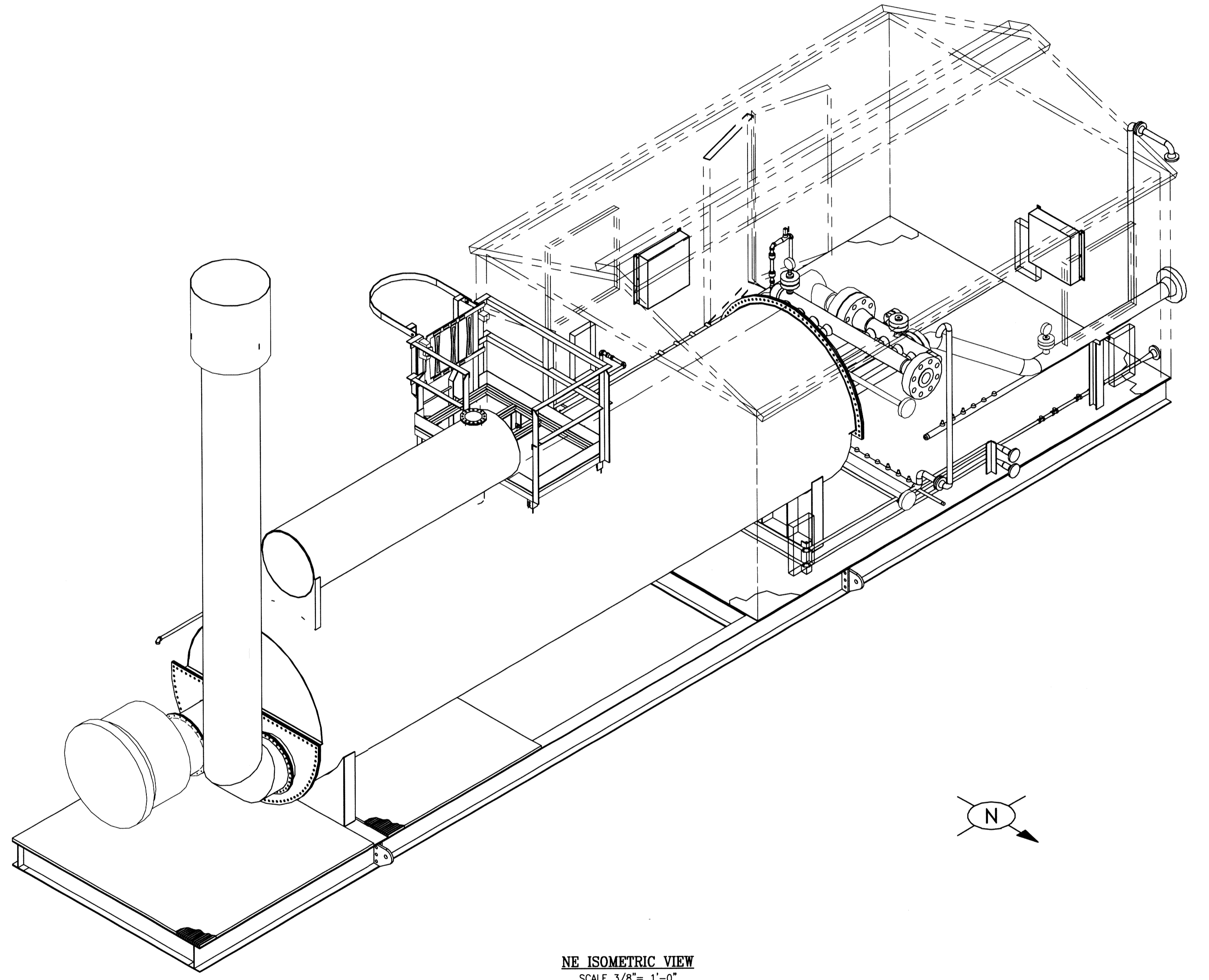


APPROVED



SW ISOMETRIC VIEW
SCALE 3/8" = 1'-0"



NE ISOMETRIC VIEW
SCALE 3/8" = 1'-0"

REV	DESCRIPTION	DATE	BY	CHK	APP
0	ISSUED FOR CONSTRUCTION	08-07-24	KHH	PAT	AN
A	ISSUED FOR APPROVAL	08-06-24	KHH	PAT	AN

PERMIT TO PRACTICE
ALBERTA NO. P-6912

THIS DRAWING IS THE
PROPERTY OF
MALONEY INDUSTRIES
AND IS NOT TO BE
USED FOR ANY PURPOSE
OTHER THAN THAT
FOR WHICH IT IS
SPECIFICALLY FURNISHED.

MALONEY INDUSTRIES
A DIVISION OF FOREMOST UNIVERSAL LP
8825 Shepard Road SE, Calgary, Alberta, T2C 4N9
Phone: (403) 279-5000 Fax: (403) 279-2068

CUSTOMER		TITLE	
PROJECT # and NAME		Z-4000 LINE HEATER PACKAGE	
GENERAL ARRANGEMENT- HEATER PIPING ISOMETRIC VIEWS		015940-11	
DRAWN	DATE	APPROVED	SCALE
KHH	08-06-24	AN	3/8"=1/0"
NO. REV'D	DRAWING NO.	NO. REV'D	DRAWING NO.
1	015940-4-11	3 OF 4	0